

Pompe serie **LT**
LT series Pumps

H450
H500
H600
H700

HC600 - HC600I
HC650 - HC650I
HC700
HC800 - HC800I

Caratteristiche Tecniche

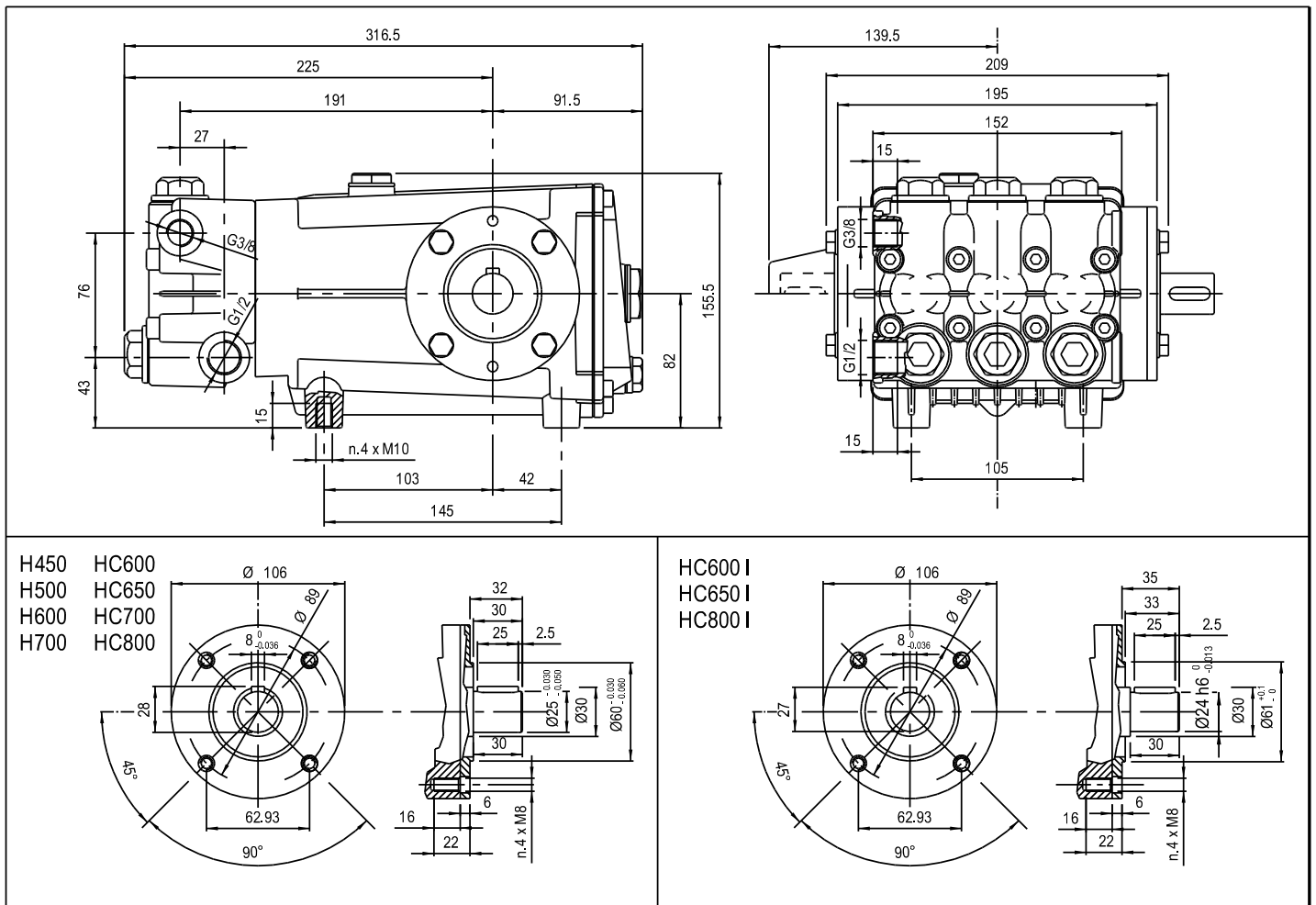
LT

Technical Characteristics

Pump Pompe Pumpen Pompa	Pressure Pression Druck Pressione		Volume Débit Leistung Portata		RPM tours/min u.p.m. giri/min	Required HP Puissance HP Leistung HP Potenza HP	Inlet port Entrée Eingang Aspirazione	Outlet Sortie Ausgang Mandata	Weight Kg Poids Kg Gewicht Kg Peso Kg
	bar	PSI	l/min	GPM					
H450	200	3000	14.5		1000	7.3	G 1/2	G 3/8	14.8
				4.6	1200	8.9			
H500	200	3000	18		1000	9.2	G 1/2	G 3/8	14.8
				5.7	1200	11.0			
H600	200	3000	22.7		1000	11.5	G 1/2	G 3/8	14.8
				7.2	1200	13.9			
H700	200	3000	23		1000	11.5	G 1/2	G 3/8	14.8
				7.3	1200	14.2			
HC600 HC600 I	200	3000	15.7		1450	7.9	G 1/2	G 3/8	14.8
				4.9	1725	9.6			
HC650 HC650 I	200	3000	19.5		1450	9.7	G 1/2	G 3/8	14.8
				6.1	1725	11.9			
HC700	200	3000	22.7		1450	11.5	G 1/2	G 3/8	14.8
				7.1	1725	13.8			
HC800 HC800 I	200	3000	24.5		1450	12.5	G 1/2	G 3/8	14.8
				7.7	1725	14.9			

Dimensioni d'ingombro

Overall dimensions



Lubrificazione: Olio SAE 20÷40 W

Capacità 1.2 Litri

Lubrication: SAE 20÷40W Oil

Capacity 1.2 l

LISTA RICAMBI

Pos.	Codice	Descrizione	Q.tà per Pompa	H450	H450RL	H500	H500RL	H600	H600RL	H700	H700RL	HC600	HC600RL	HC600IRL	HC650	HC650RL	HC650IRL	HC700	HC700RL	HC800	HC800RL	HC800IRL
*38	0009.02	Anello antiestrusione	3	◆	◆	◆	◆	◆	◆	◆	◆	◆	◆	◆	◆	◆	◆	◆	◆	◆	◆	◆
*39	1200.11	Pistone Ø20	3	◆	◆							◆	◆	◆								
	1200.12	Pistone Ø22	3			◆	◆								◆	◆	◆					
	1200.13	Pistone Ø25	3					◆	◆	◆	◆							◆	◆	◆	◆	◆
*40	1400.14	Rosetta rame	3																			
41	0003.00	Asta pistone	3																			
42	0100.00	Biella completa	3																			
43	1502.00	Spinotto	3																			
44	1801.01	Vite M8x35	6																			
45	1500.00	Anello Ø12	6	◆	◆	◆	◆	◆	◆	◆	◆	◆	◆	◆	◆	◆	◆	◆	◆	◆	◆	◆
46	1401.03	Rosetta elastica Ø8	6	◆	◆	◆	◆	◆	◆	◆	◆	◆	◆	◆	◆	◆	◆	◆	◆	◆	◆	◆
47	0601.85	"O" Ring Ø2,62x152,07	1																			
48	0203.03	Coperchio	1																			
49	0603.02	Guarnizione G3/8	1																			
50	0700.05	Spia livello olio G3/4	1																			
51	1801.12	Vite M6x16	5																			

Parti ol is onibile
 solo in kit

* Parti ol is onibile
 an e in kit

LISTA RICAMBI

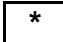

KIT RICAMBI

Posizioni incluse	Codice e Descrizione	Q.tà per Pompa	H450	H450RL	H500	H500RL	H600	H600RL	H700	H700RL	HC600	HC600RL	HC600IRL	HC650	HC650RL	HC650IRL	HC700	HC700RL	HC800	HC800RL	HC800IRL	
4- 5- 7	2600.00 Guarnizioni pistone Ø20	1	◆	◆							◆	◆	◆									
4- 5- 7	2601.00 Guarnizioni pistone Ø22	1			◆	◆								◆	◆	◆						
4- 5- 7	2602.00 Guarnizioni pistone Ø25	1					◆	◆	◆	◆							◆	◆	◆	◆	◆	
3- 4- 5- 6- 7- 8	2600.01 Pacco completo Guarnizioni pistone Ø20	3	◆	◆							◆	◆	◆									
3- 4- 5- 6- 7- 8	2601.01 Pacco completo Guarnizioni pistone Ø22	3			◆	◆								◆	◆	◆						
3- 4- 5- 6- 7- 8	2602.01 Pacco completo Guarnizioni pistone Ø25	3					◆	◆	◆	◆							◆	◆	◆	◆	◆	
35- 36- 37- 38 39- 40	2600.04 Pistone Ø20	3	◆	◆							◆	◆	◆									
35- 36- 37- 38 39- 40	2601.02 Pistone Ø22	3			◆	◆								◆	◆	◆						
35- 36- 37- 38 39- 40	2602.03 Pistone Ø25	3					◆	◆	◆	◆							◆	◆	◆	◆	◆	
12- 13- 15	2600.02 Valvola 0.8 completa	6	◆	◆	◆	◆			◆	◆	◆	◆	◆	◆	◆	◆				◆	◆	◆
12- 13- 15	2602.02 Valvola 0.6 completa	6					◆	◆									◆	◆				
3	2600.03 Anelli tenuta olio Asta	1	◆	◆	◆	◆	◆	◆	◆	◆	◆	◆	◆	◆	◆	◆	◆	◆	◆	◆	◆	◆

SPARE PARTS LIST

Item	Part Number	Description	Q.ty by Pump	H450	H450RL	H500	H500RL	H600	H600RL	H700	H700RL	HC600	HC600RL	HC600IRL	HC650	HC650RL	HC650IRL	HC700	HC700RL	HC800	HC800RL	HC800IRL	
*38	0009.02	Teflon ring	3	◆	◆	◆	◆	◆	◆	◆	◆	◆	◆	◆	◆	◆	◆	◆	◆	◆	◆	◆	◆
*39	1200.11	Plunger 20mm	3	◆	◆							◆	◆	◆									
	1200.12	Plunger 22mm	3			◆	◆								◆	◆	◆						
	1200.13	Plunger 25mm	3					◆	◆	◆	◆							◆	◆	◆	◆	◆	◆
*40	1400.14	Copper spacer	3																				
41	0003.00	Plunger rod	3																				
42	0100.00	Connecting rod	3																				
43	1502.00	Connecting rod pin	3																				
44	1801.01	Connecting rod screw	6																				
45	1500.00	Snap ring	6																				
46	1401.03	Spring washer	6	◆	◆	◆	◆	◆	◆	◆	◆	◆	◆	◆	◆	◆	◆	◆	◆	◆	◆	◆	◆
47	0601.85	"O" Ring Ø2,62x152,07	1																				
48	0203.03	Crankcase cover	1																				
49	0603.02	Gasket, G3/8	1																				
50	0700.05	Sight glass, G3/4	1																				
51	1801.12	Cover screw	5																				

  Part available in kit only

  Part available in kit also

SPARE PARTS LIST

SPARE PARTS KIT

Included Positions	Part Number & Description	Q.ty by Pump	H450	H450RL	H500	H500RL	H600	H600RL	H700	H700RL	HC600	HC600RL	HC600IRL	HC650	HC650RL	HC650IRL	HC700	HC700RL	HC800	HC800RL	HC800IRL	
4- 5- 7	2600.00 Plunger Seals 20 mm	1	◆	◆							◆	◆	◆									
4- 5- 7	2601.00 Plunger Seals 22 mm	1			◆	◆								◆	◆	◆						
4- 5- 7	2602.00 Plunger Seals 25 mm	1					◆	◆	◆	◆							◆	◆	◆	◆	◆	
3- 4- 5- 6- 7- 8	2600.01 Complete seal Packing 20 mm	3	◆	◆							◆	◆	◆									
3- 4- 5- 6- 7- 8	2601.01 Complete seal Packing 22 mm	3			◆	◆								◆	◆	◆						
3- 4- 5- 6- 7- 8	2602.01 Complete seal Packing 25 mm	3					◆	◆	◆	◆							◆	◆	◆	◆	◆	
35- 36- 37- 38 39- 40	2600.04 Plunger 20 mm	3	◆	◆							◆	◆	◆									
35- 36- 37- 38 39- 40	2601.02 Plunger 22 mm	3			◆	◆								◆	◆	◆						
35- 36- 37- 38 39- 40	2602.03 Plunger 25 mm	3					◆	◆	◆	◆							◆	◆	◆	◆	◆	
12- 13- 15	2600.02 Complete 0.8 Valve	6	◆	◆	◆	◆			◆	◆	◆	◆	◆	◆	◆	◆				◆	◆	◆
12- 13- 15	2602.02 Complete 0.6 Valve	6					◆	◆									◆	◆				
3	2600.03 Plunger oil Seal	1	◆	◆	◆	◆	◆	◆	◆	◆	◆	◆	◆	◆	◆	◆	◆	◆	◆	◆	◆	◆